

Specifications of filter housings of type 15

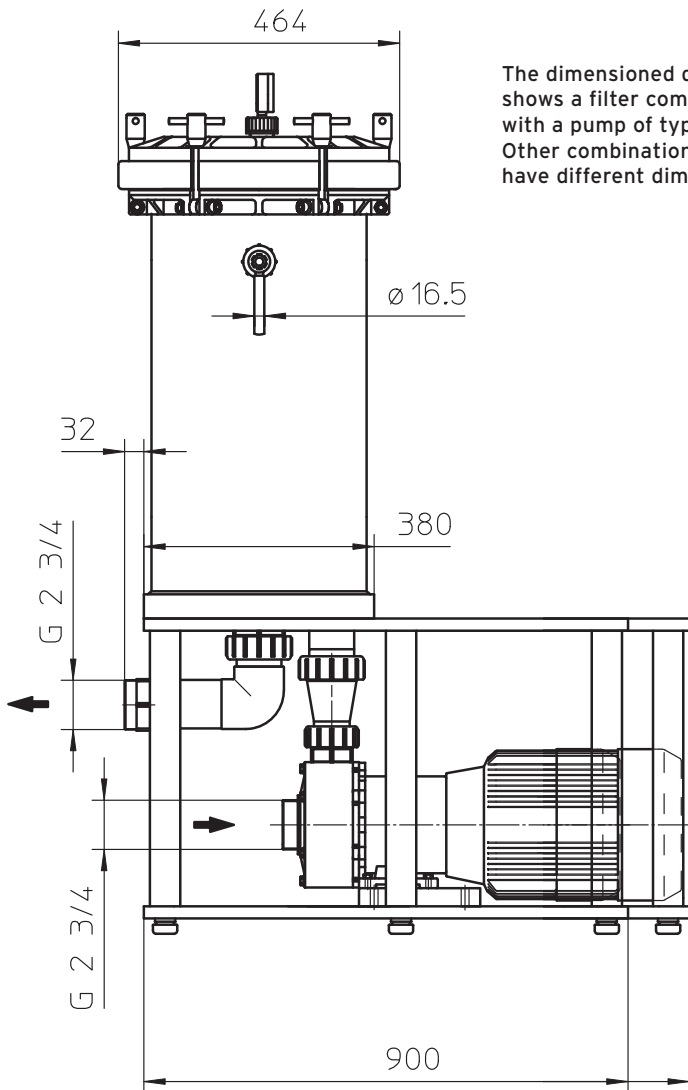
Materials	PP, PVDF, stainless steel, titanium			
Gaskets	EPDM, FKM, NBR, FEP coated			
Filter elements	Filter cartridges, plates, bags, activated carbon			
Housing length	10"	20"	30"	40"
Number of cartridges	15 x 10"	15 x 20"	15 x 30"	15 x 40"
Number of filter plates	24	44	66	88
Paper discs	23	43	65	87
Filtering surface of paper*	1.4m ²	2.6m ²	3.85m ²	5.2m ²
Act. carbon canister	15dm ³	29dm ³	43dm ³	-
Housing volume (without filter elements)	26dm ³	46dm ³	66dm ³	86dm ³
Dimension A (mm)	630	884	1138	1392

* The number of paper discs required and thus the filtering surface depend on the thickness of the paper used.

Filter of type 15 for 15 filter cartridges combined with activated carbon filter of type 4 and pump of type RM4. Wound cartridge filtration with bypass filtration through activated carbon.



FILTER HOUSINGS OF TYPE 15



The dimensioned drawing shows a filter combined with a pump of type 4.5. Other combinations may have different dimensions.

